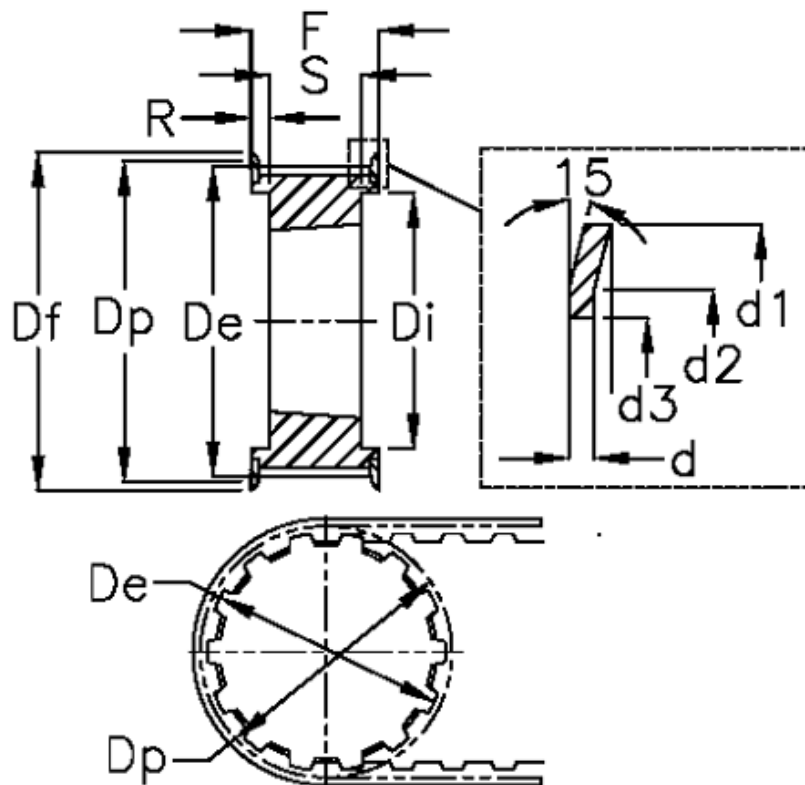


Data Sheet



Article number: 604133044115
 Description: Taper bored timing belt pulley
 HTD 44 14M 115 TL 3030

Measures



$d = 2.5$	F = 133	Weight = 14
$d1 = 212$	Flange type = F61	Width = 115
$d2 = 200$	For bushing = 3030	
$d3 = 162$	Max bore = 75	
$De = 193.28$	r = 28.5	
$Df = 212$	S = 76	
$Di = 155$	Tooth number = 44	
$Dp = 196.08$	Type = 14M	